

CITY OF PORT ST. JOE, FLORIDA
NOTICE TO RECEIVE SEALED BIDS
RFP 2019-02

Sealed bids for City of Port St. Joe for 6th / 7th Street Drainage Project Materials Purchase will be received at City Hall, 305 Cecil G. Costin Sr. Blvd., Port St. Joe, Florida 32456 up until 4:00 PM EST, Friday February 15, 2019. Bids will be publicly opened and acknowledged, Friday February 15, 2019 at 4:05 PM EST, in the City Commission Conference Room.

Bids shall be submitted in a sealed envelope, plainly marked with bidder's name, address, date and time of opening, and RFP Number 2019-02 for "6th / 7th Street Drainage Project Materials Purchase".

DESCRIPTION OF WORK: Direct Purchase of materials as listed in the Base Bid sheet that are required to complete the installation of new Stormwater Drainage System in the Alley Between 6th and 7th Streets. A complete bid package is available at www.cityofportstjoe.com

For questions concerning this project, please contact John Grantland at 850-229-8247.

The City of Port St. Joe reserves the right to accept or reject any and all Statements of Bids in whole or in part, to waive informalities in the process, to obtain new Statements of Bids, or to postpone the opening pursuant to the City's purchasing policies. Each Statement of Bid shall be valid to the City of Port St. Joe for a period of sixty (60) days after the opening.

The City of Port St. Joe is an Equal Opportunity, Affirmative Action Employer.

NOTICE TO PUBLISHER: This legal ad is to appear on Thursday January 31, 2019, and Thursday February 7, 2019 in the Star Newspaper.

Please forward the original "Proof of Publication" and the invoice to:

The City of Port St. Joe
Attn: Charlotte Pierce, City Clerk
P.O. Box 278
Port St. Joe, FL 32457

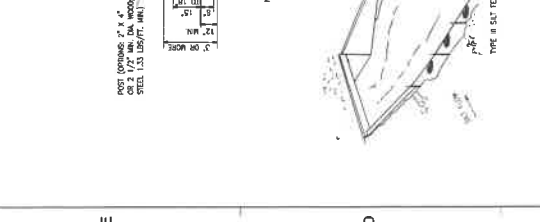
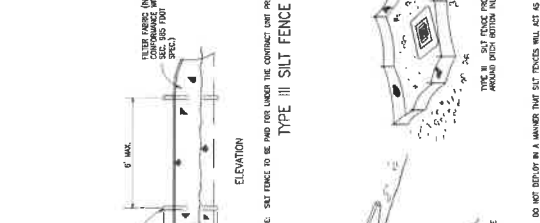
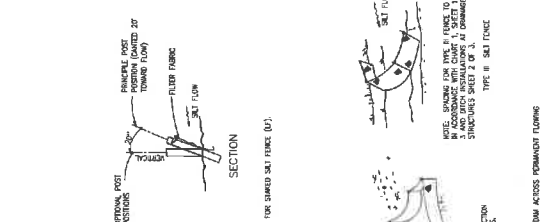
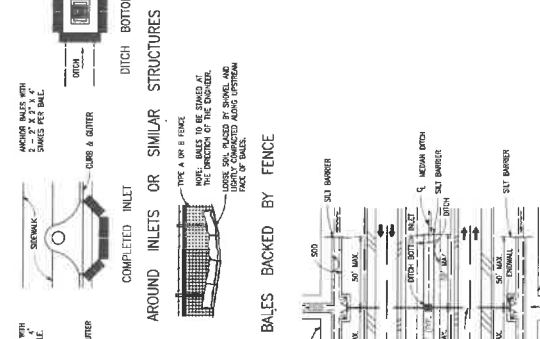
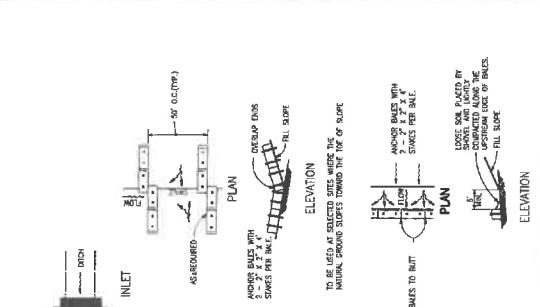
NO.	DESCRIPTION	DATE
1	DRAWN BY	C. KEMBERTY
2	APPROVED BY	J. STEPHENS
3	CHECKED BY	C. SMALLWOOD
4	DATE	NOVEMBER 2018

**ENVIRONMENTAL
 DETAILS**

PROJECT NO. 18010214

D1

SHEET NO.



BARRIERS FOR FILL SLOPES

DITCH INSTALLATIONS AT DRAINAGE STRUCTURES

BARRIERS FOR PAVED DITCH

BARRIERS FOR UNPAVED DITCHES

SILT FENCE APPLICATIONS

NOTE: USE OF THIS CHART SHOULD BE LIMITED TO THE USE OF SLOPE NATURAL GROUND SURFACE FROM THE USE OF SLOPE

NOTE: USE OF THIS CHART SHOULD BE LIMITED TO THE USE OF SLOPE NATURAL GROUND SURFACE FROM THE USE OF SLOPE

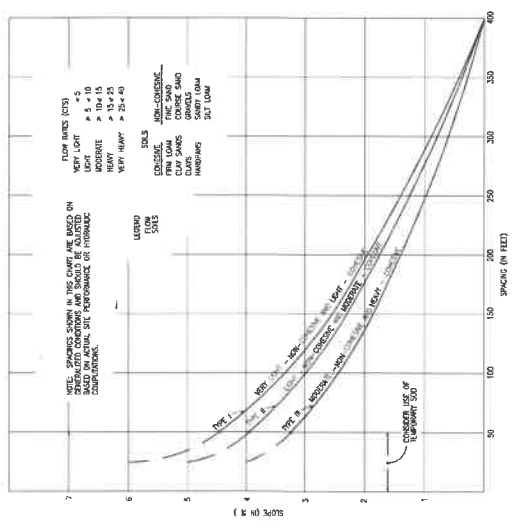
NOTE: USE OF THIS CHART SHOULD BE LIMITED TO THE USE OF SLOPE NATURAL GROUND SURFACE FROM THE USE OF SLOPE

NOTE: USE OF THIS CHART SHOULD BE LIMITED TO THE USE OF SLOPE NATURAL GROUND SURFACE FROM THE USE OF SLOPE

NOTE: USE OF THIS CHART SHOULD BE LIMITED TO THE USE OF SLOPE NATURAL GROUND SURFACE FROM THE USE OF SLOPE

NOTE: USE OF THIS CHART SHOULD BE LIMITED TO THE USE OF SLOPE NATURAL GROUND SURFACE FROM THE USE OF SLOPE

NOTE: USE OF THIS CHART SHOULD BE LIMITED TO THE USE OF SLOPE NATURAL GROUND SURFACE FROM THE USE OF SLOPE



RECOMMENDED SPACING FOR TYPE I AND TYPE II HAY BALE BARRIERS, AND TYPE III SILT FENCES

City of Port St. Joe
6th/7th Street Drainage Project
Materials Quote RFP# 2019-02

Item Description	Unit	Quantity	Unit Price	Total Price
12" x 18" Elliptical Concrete Pipe Class 3	LF	384		
15" Round Concrete Pipe Class 3	LF	8		
18" Round Concrete Pipe Class 3	LF	8		
18" x 20' N12 WTIB Dual Wall Pipe	LF	120		
0-4' Type C Inlet W/ USF 6210	EA	3		
0-4' Type D Inlet W/ USF 6607	EA	3		
12" x 18" U Endwall @ 4:1 Slope W/Baffels	EA	2		
			Total Quote	